

4

3

2

1

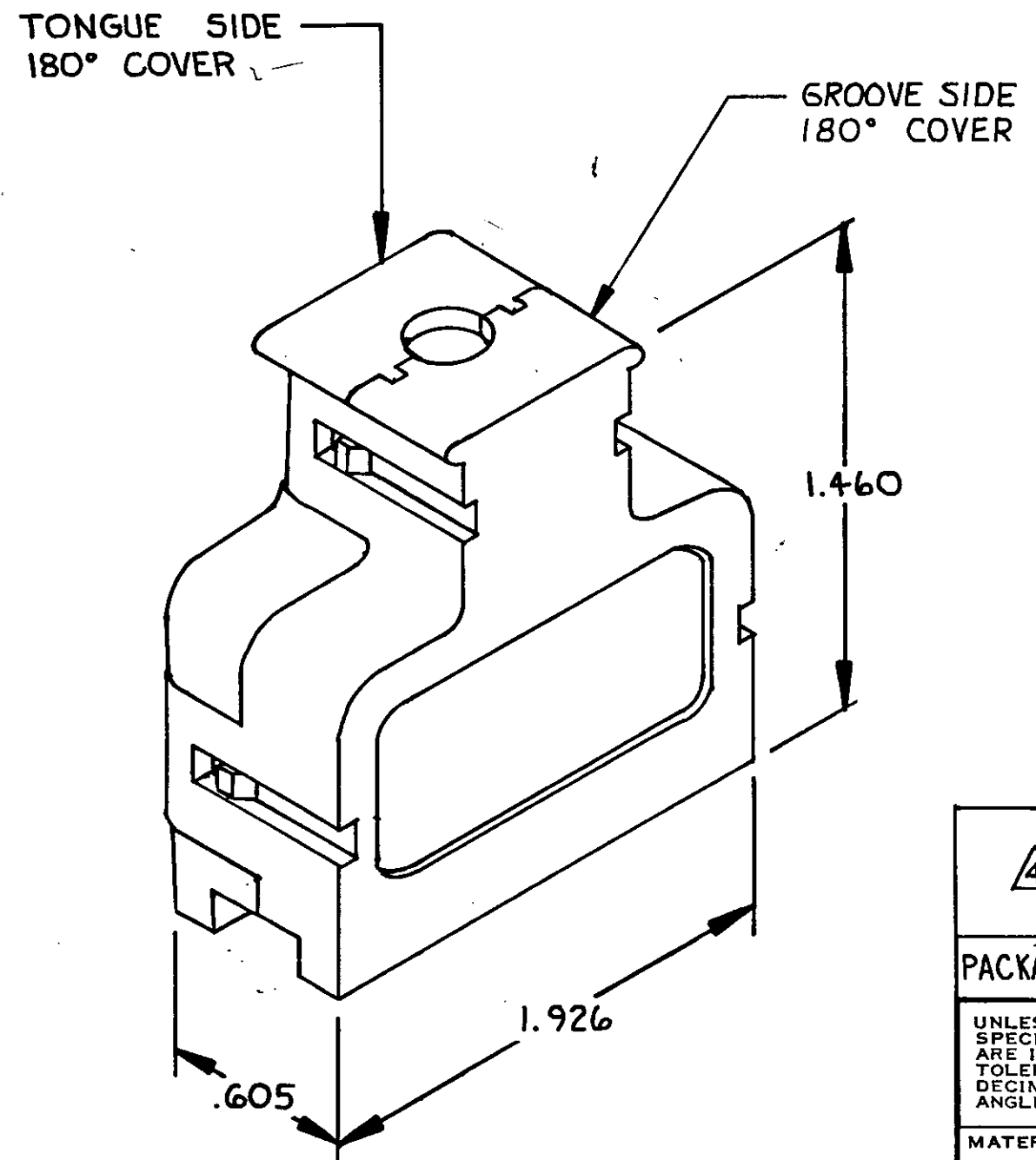
THIS DRAWING IS UNPUBLISHED. RELEASED FOR PUBLICATION

© COPYRIGHT

REVISIONS						
P	F	ZONE	LTR	DESCRIPTION	DATE	APPROVED
			L1	REVISED PER ECO-11-005140	30MAR11	HMR

1. ALL DIMENSIONS SHOWN ARE MAXIMUM UNLESS OTHERWISE SPECIFIED.
2. COVERS SHIPPED NOT ASSEMBLED.

△ 100 KITS BULK PACKAGED.



△	.480 - .520	BLACK	552072-6	552071-6	▲ -6
	.360 - .430		552072-5	552071-5	-5
	.290 - .360		552072-1	552071-1	552073-1
PACKAGED	CABLE RANGE DIAMETER	COLOR	GROOVE SIDE PART NO.	TONGUE SIDE PART NO.	KIT PART NO.
UNLESS OTHERWISE SPECIFIED DIMENSIONS ARE IN INCHES. TOLERANCES ON: DECIMALS ± ANGLES ±		CONTRACT NO		TE Connectivity	
MATERIAL POLYPHENYLENE		DR P.K. COLLINS 5-4-83			
FINISH		CHK Stephen Dow 5-6-83		NAME COVER KIT, 180°, 36 POSITION, CHAMP®	
		APPD C.F. Morgan 5/9/83		SIZE B	
		APPD [Signature] 5/9/83		FSCM NO 00779	
		DSGN APPD [Signature]		DRAWING NO 552073	
		OTHER APPD		SCALE 2:1	
				SHEET 1 OF 1	